

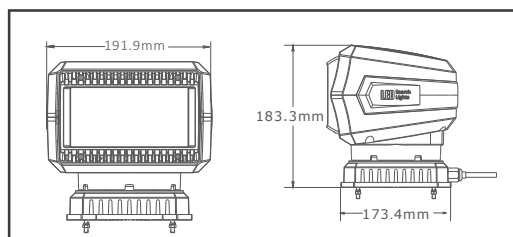
OPERATION INSTRUCTION

LED SEARCH LIGHT

#93050

Specifications

- 60W high power output
- 60° tilt, 360° Rotation
- Perfect remote controller designed,easily adjust speed, rotation
- Beam Pattern: Spot



- Proper installation of this product requires the installer to have a good understanding of automotive electronics, systems and procedures.
- Failure to use specified installation parts or hardware will void the product warranty.
- For this product to operate at optimum efficiency, a good electrical connection to chassis ground must be made.
- It is recommend that these instructions be stored in a safe place and referred to when performing maintenance or reinstallation of this products.
- Do not install and/or operate this safety product unless you have read and understand the safety information contained in this manual.



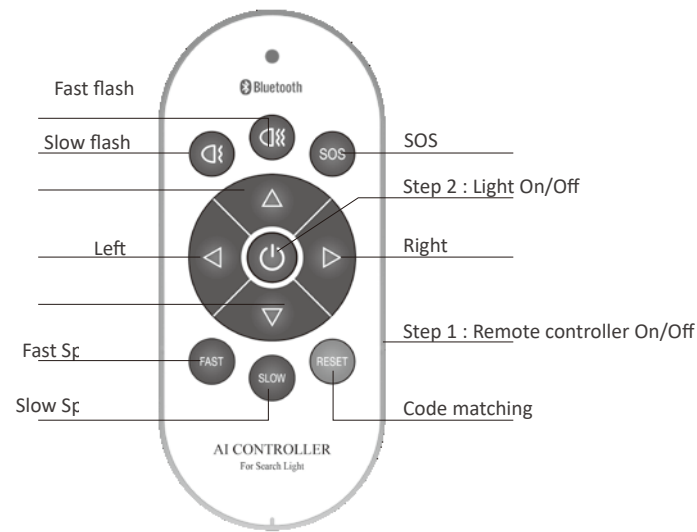
This document provides all the necessary information to allow your product to be properly and safely installed. Before beginning the installation and operation of your new product, the installation technician and operator must read this manual completely.

Remote Control Instruction Manual

This manual describes how to use the remote search light.

In this manual you will learn about:

1. Basic function of the remote control;
2. Connect the light to remote control.



Android



ios

Basic functions

Only on condition that the light is connected to remote control, it can be remote controlled.

On: Turn on the light before need to turn on the remote control firstly, then means the code matching;

Off: Turn off the light;

Up: Head up;

Down: Head down;

Left : Turn left;

Right: Turn right;

Fast rotation: Fast speed rotation;

Slow rotation: Slow speed rotation.

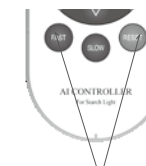
Connect the light

Factory setting has been coded.

Disconnect the light

If you find the remote control is not matching the light , please do the following:

1. Press the FAST key and the RESET key at the same time for 5 seconds when power supply connected.(Picture 1)
2. If the light flashes, the coding is successful; otherwise, the coding fails.
3. If the coding fails, the power must be turned on again, and repeat above operation.



Picture 1